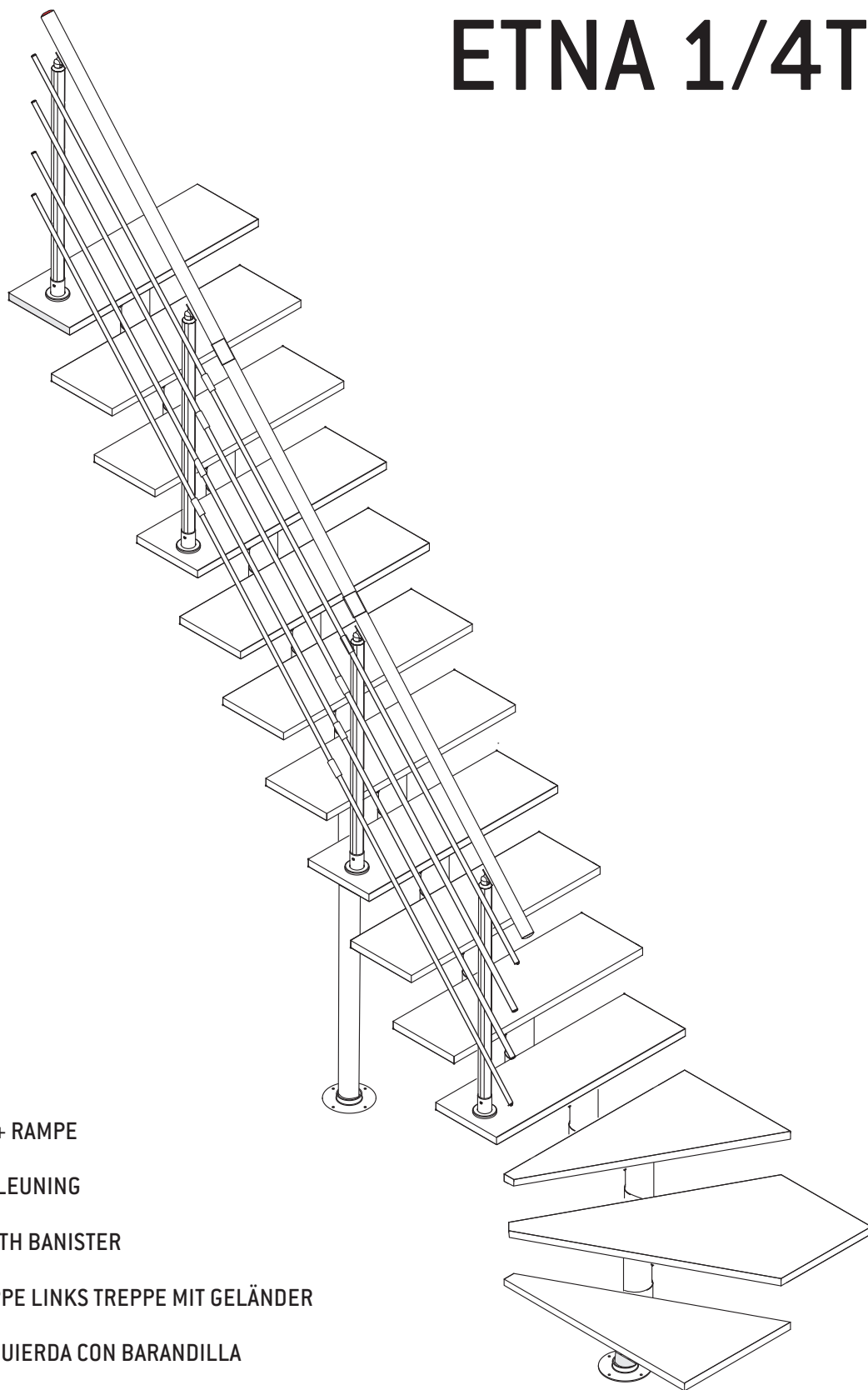


ETNA 1/4T



Ⓕ FR ETNA ESC. 1/4T GAUCHE + RAMPE

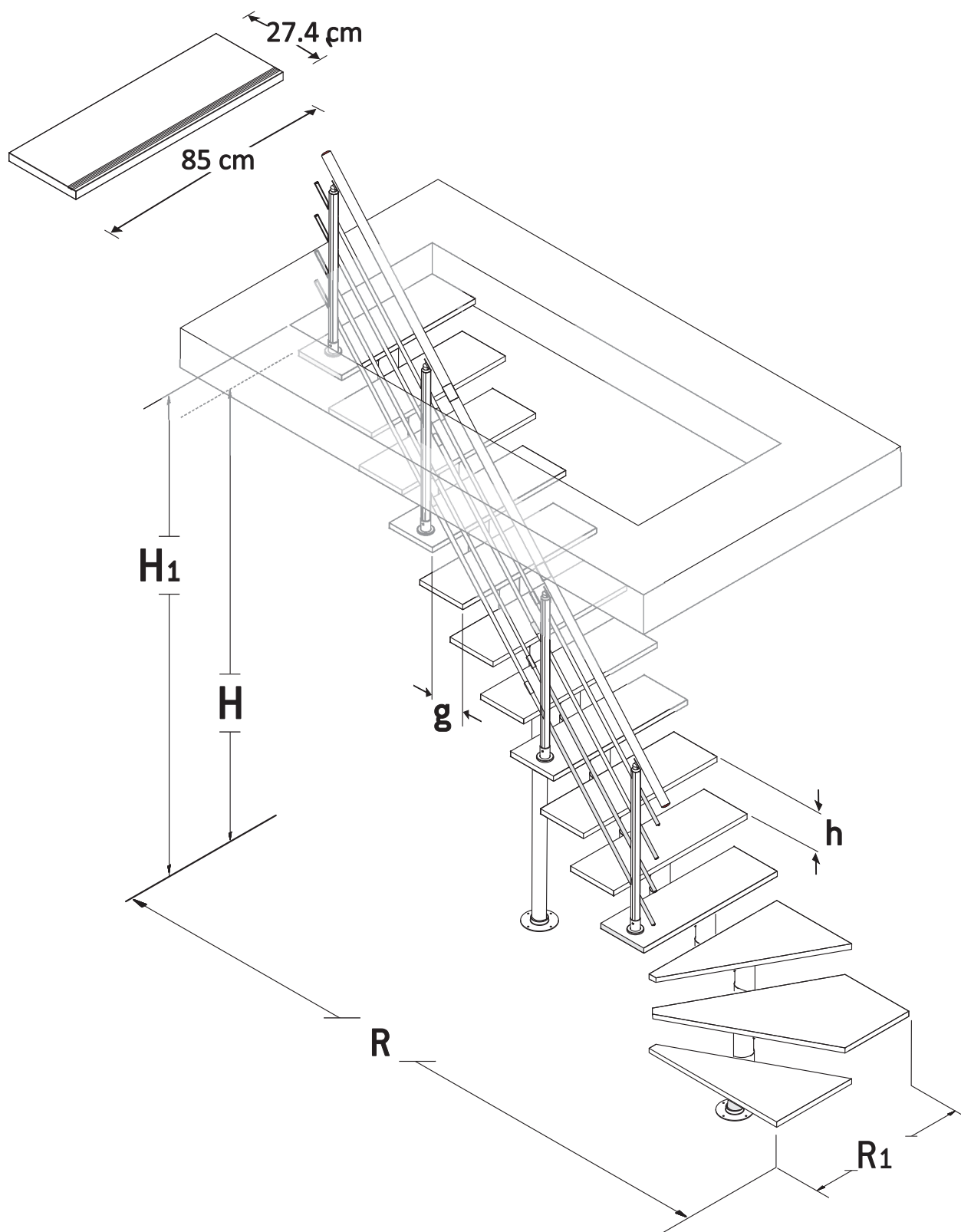
Ⓕ NL ETNA 1/4-SLAG LINKS + LEUNING

Ⓕ GB ETNA 1/4T LEFT STAIR WITH BANISTER

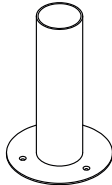
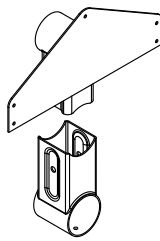
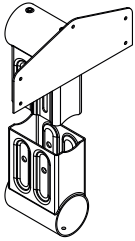
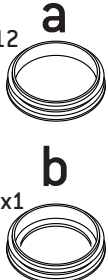
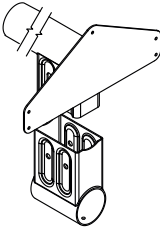
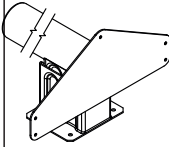

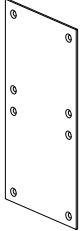


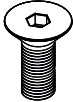

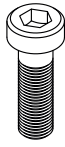



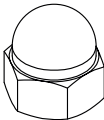
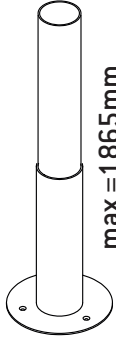
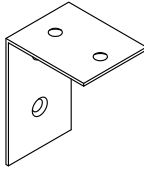

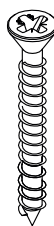


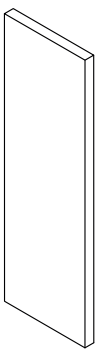
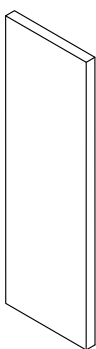
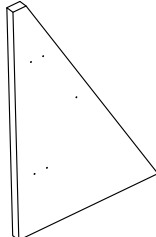

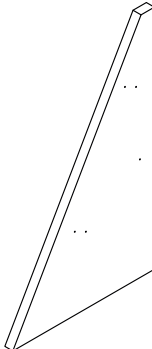
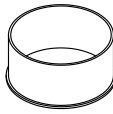
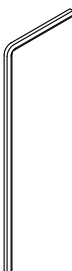
Ⓕ DE ETNA GEWENDELTE TREPPE LINKS TREPPE MIT GELÄNDER

Ⓕ ES ETNA ESCALERA 1/4G IZQUIERDA CON BARANDILLA

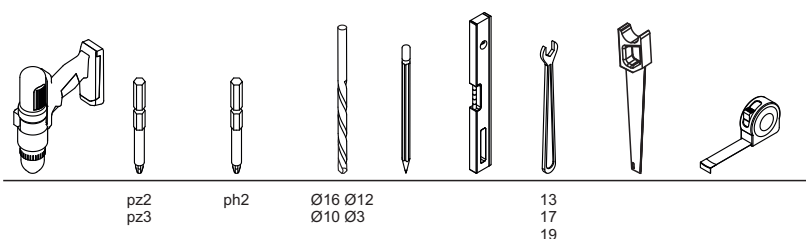
Ⓕ RO ETNA SCARA 1/4T STANGA + RAMPA



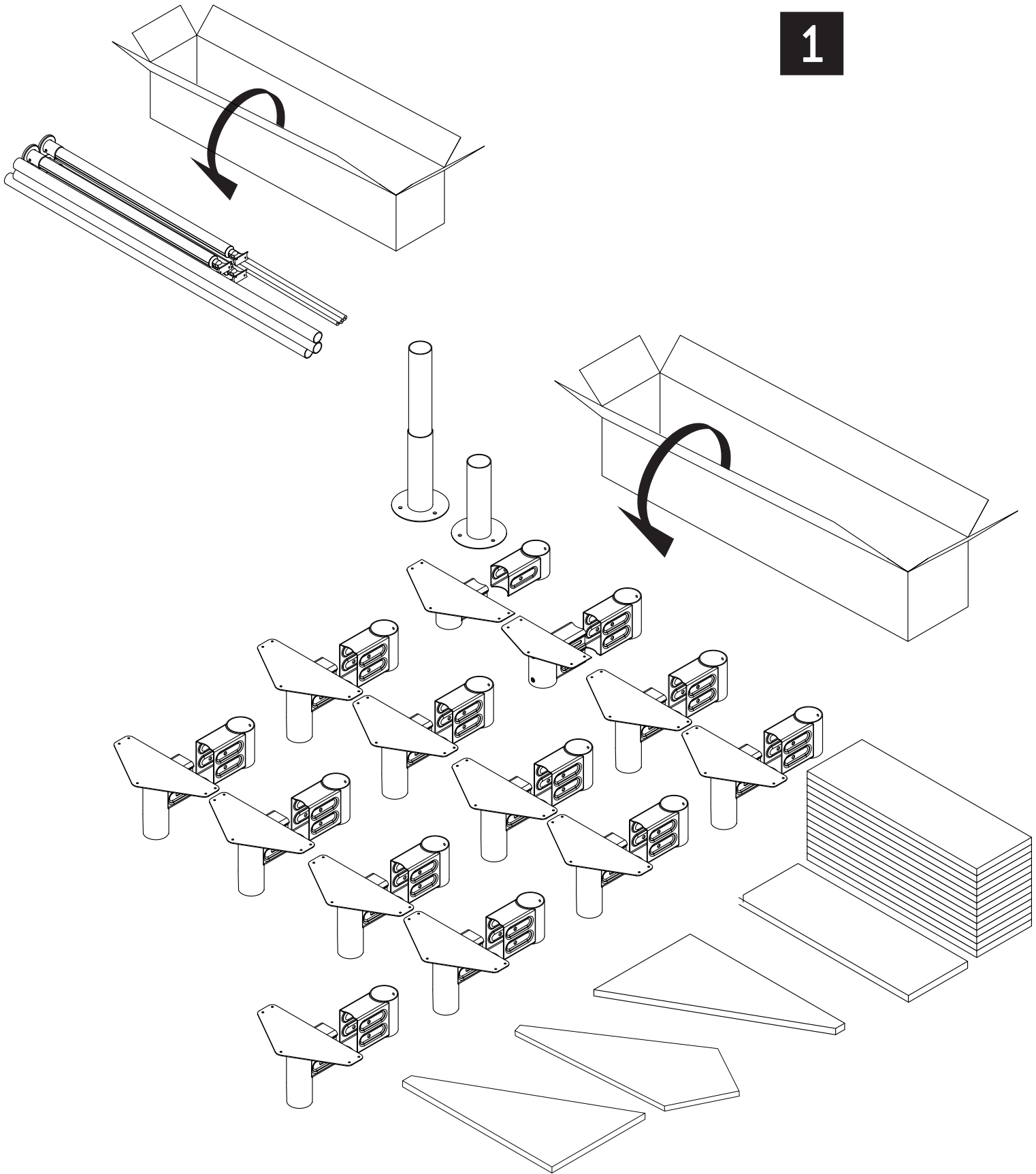
H	H ₁	R	R ₁	g	h
238-322	255-345	309,7-339,7	87-267	19,5-22,5	17-23

<p>01 075x340mm x1</p> 	<p>02 100x360x450mm x1</p> 	<p>03 150x360x450mm x1</p> 	<p>04 a-090x070x25mm b-090x070x22mm x12 a x1 b</p> 	<p>05 105x360x450mm x11</p> 	<p>06 105x350x450mm x1</p> 	<p>07 M10 x 10mm x30</p> 	<p>08 3x180x350 x1</p> 
<p>09 08x85mm x12</p> 	<p>10 012x60mm x12</p> 	<p>11 M8x16mm x4</p> 	<p>12 M8x18mm x4</p> 	<p>13 M6x25mm x70</p> 	<p>14 012x06x1,6mm x70</p> 	<p>15 M12x105mm x27</p> 	<p>16 024x013x2,5mm x54</p> 
<p>17 M12x22mm x54</p> 	<p>18 075x1300 +565mm x1 max = 1865mm</p> 	<p>19 50x60x85mm x6</p> 	<p>20 06x25mm x12</p> 	<p>21 06x60mm x12</p> 	<p>22 010x50mm x12</p> 	<p>23 014x4mm x24</p> 	<p>24 30x274x850mm x10</p> 
<p>25 30x297x850mm x1</p> 	<p>26 30x530x850mm x1</p> 	<p>27 30x525x1210mm x1</p> 	<p>28 30x531x850mm x1</p> 	<p>29 096x088x45mm x24</p> 	<p>30 hex 5mm x1</p> 		

<p>01 040x840 x5</p>	<p>02 040x1536 x1</p>	<p>03 040x1475 x2</p>	<p>04 016x1536 x4</p>	<p>05 016x1475 x8</p>	<p>06 034,6x82 x2</p>
					<p>07 05,8x60 x8</p>
<p>08 M12x70 x5</p>	<p>09 024x3 x5</p>	<p>10 hex19x22mm x5</p>	<p>11 04x30 x20+1</p>	<p>12 045x25 x2</p>	<p>13 020x50 x8</p>
<p>14 040x14 x4</p>	<p>15 016x12mm x16</p>	<p>16 04,2x45 x20+1</p>	<p>17 04,2x13 x25+1</p>	<p>18 a-074x046x10mm b-070x66mm x5</p>	<p>19 40x99x23 x1</p>



1



2

A= _____ cm

B= _____ cm

C= _____ cm

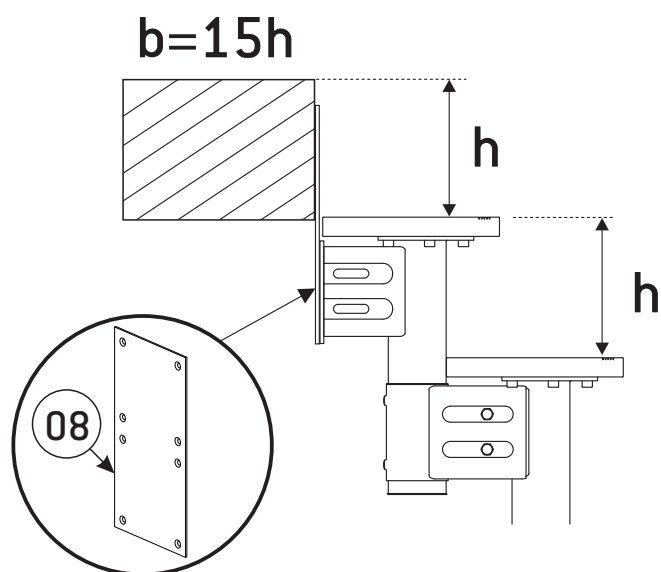
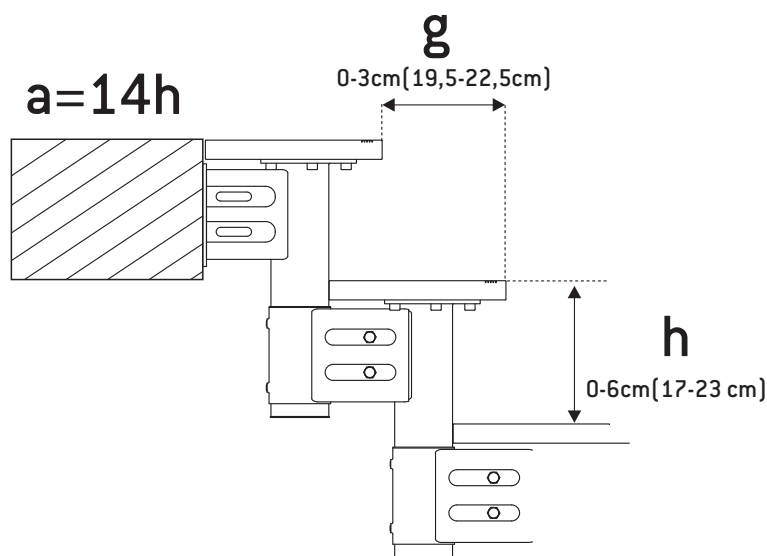
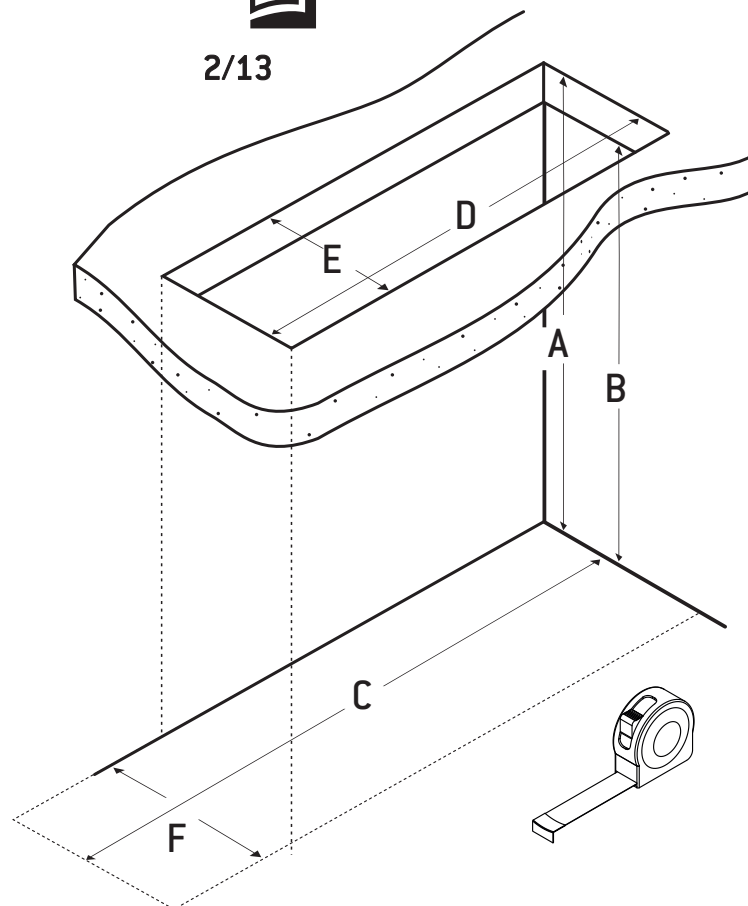
D= _____ cm

E= _____ cm

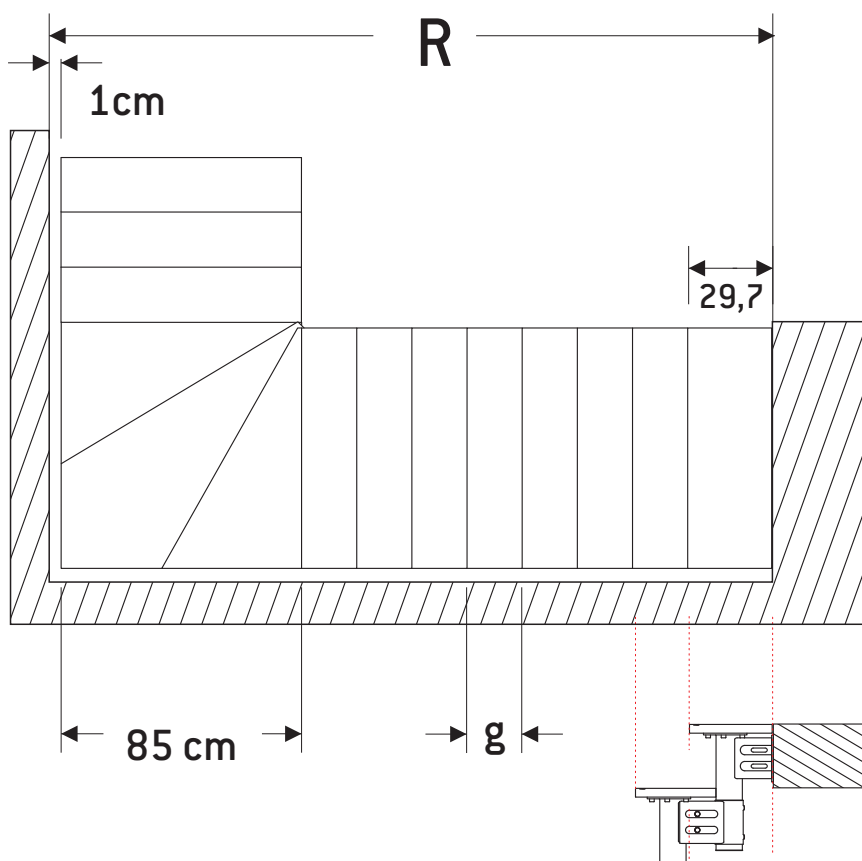
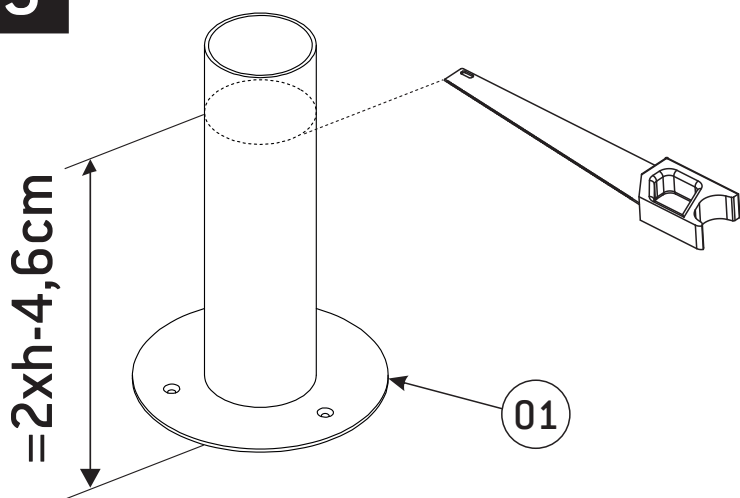
F= _____ cm



2/13



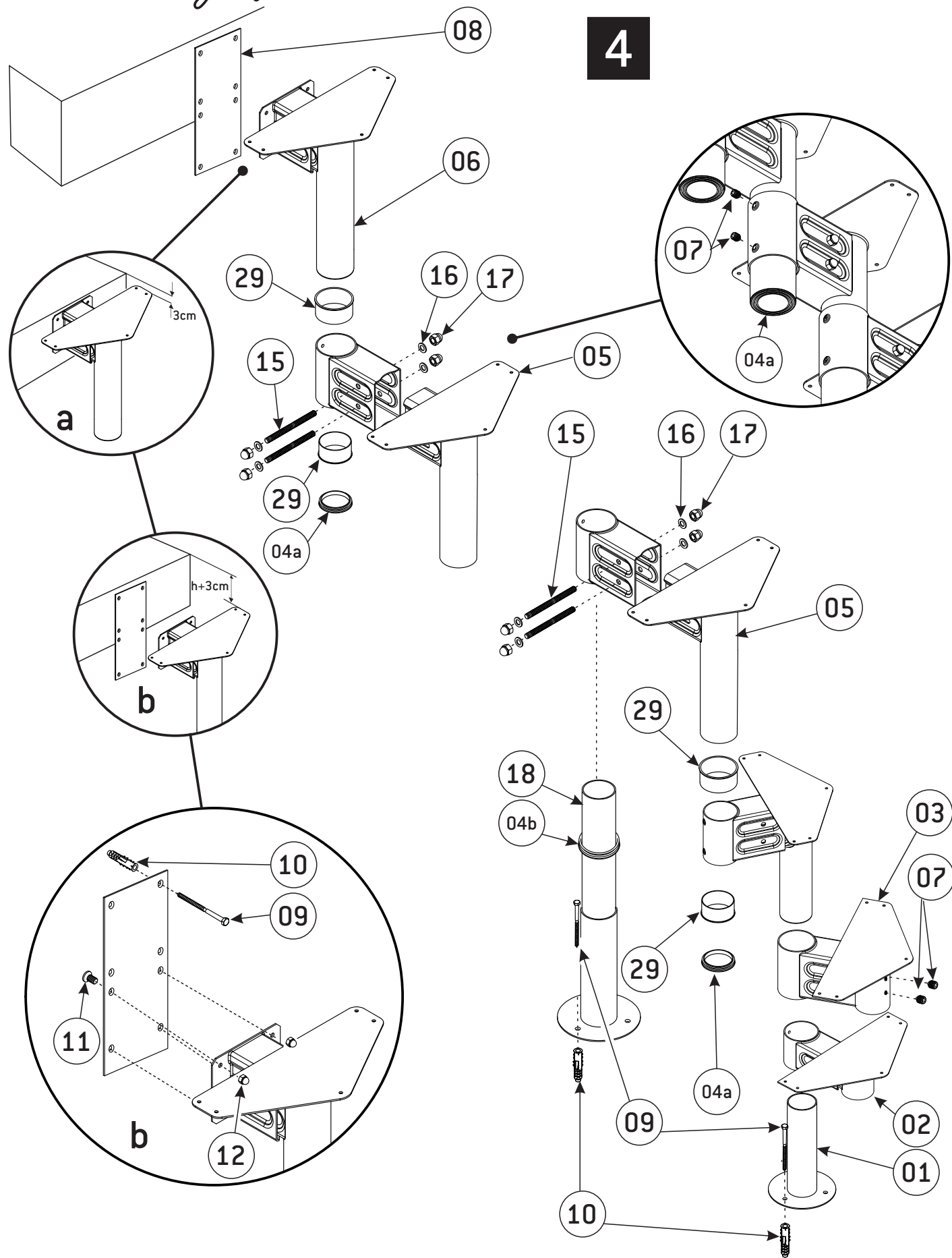
3



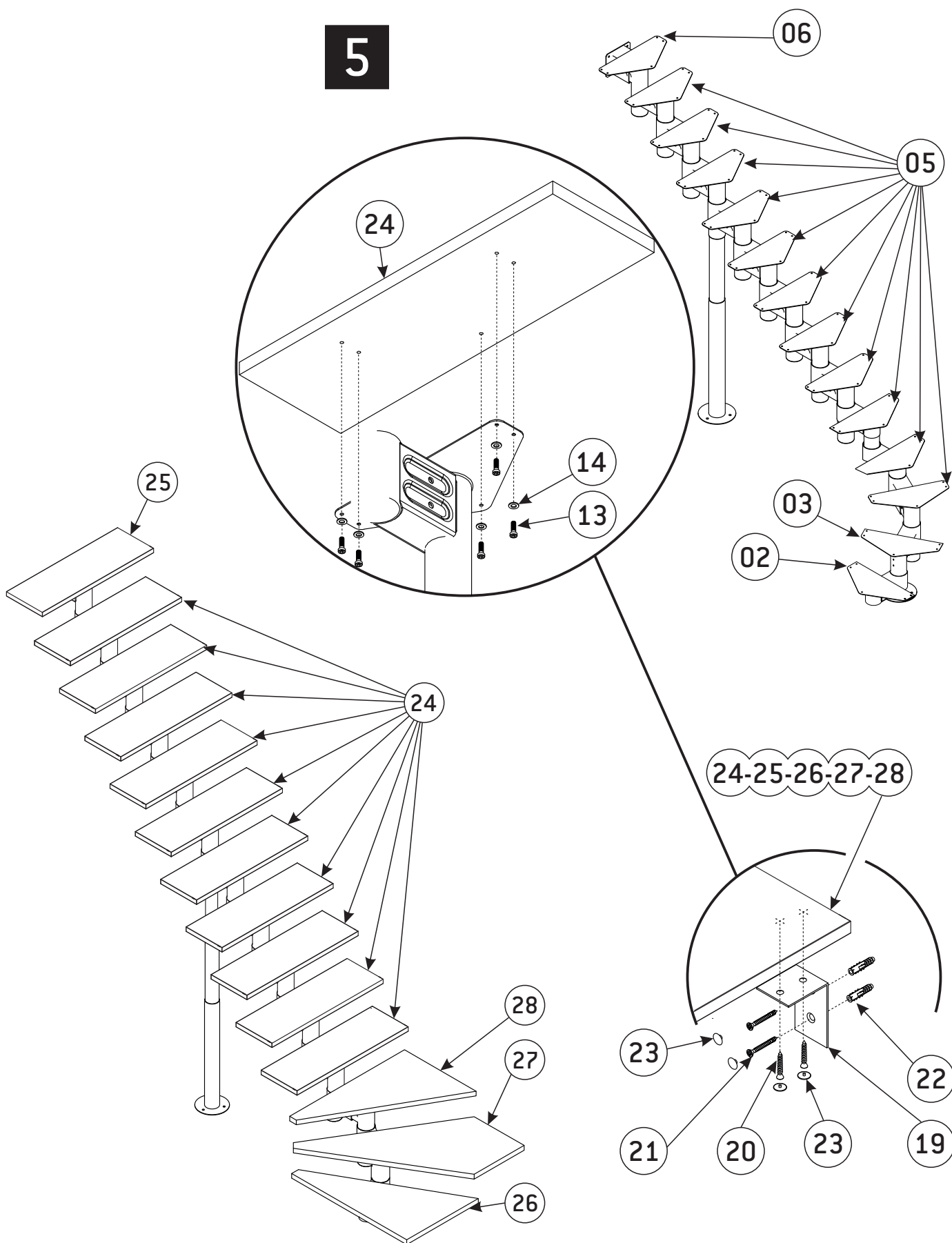
Ex: $R=260\text{cm}$

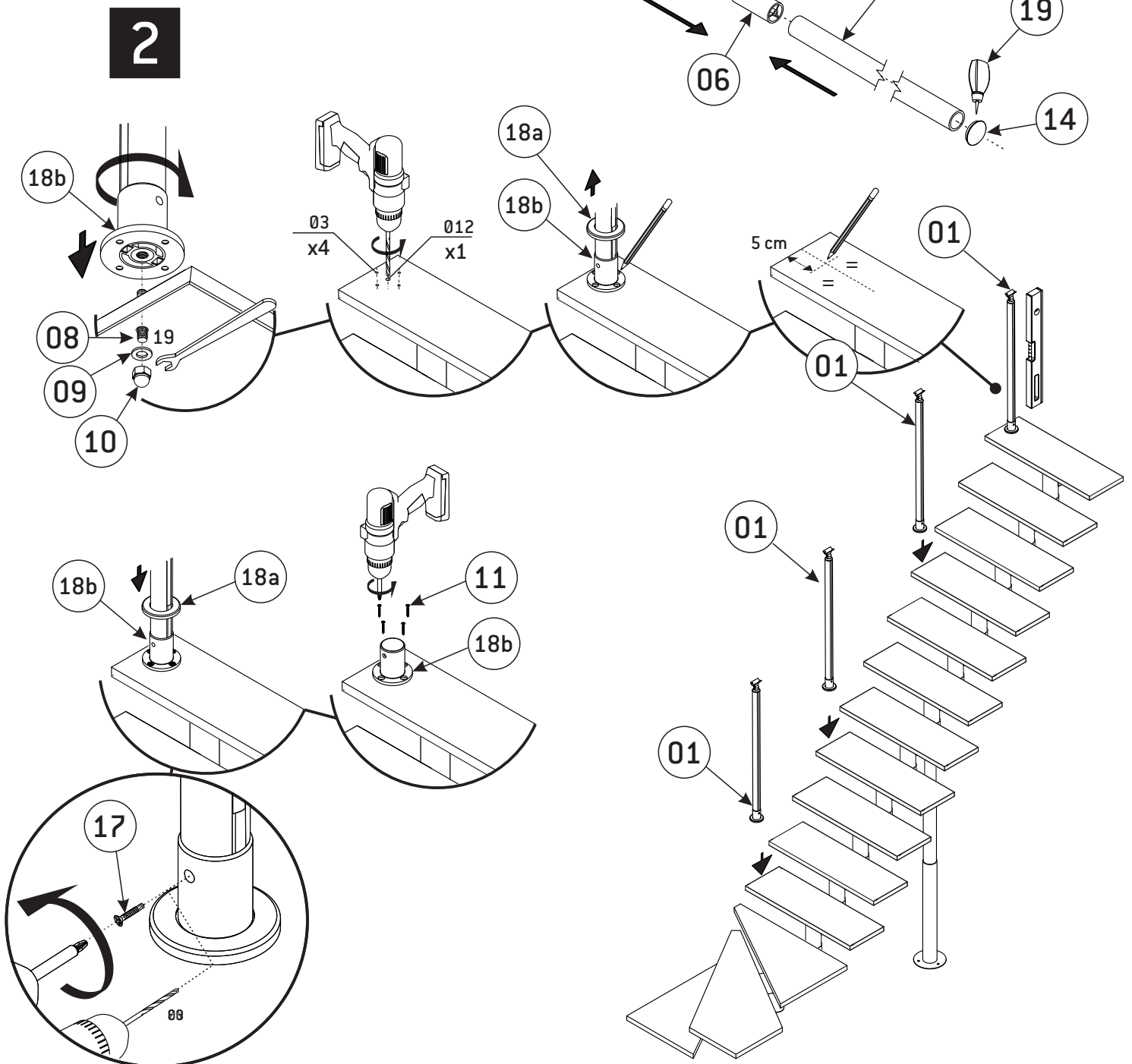
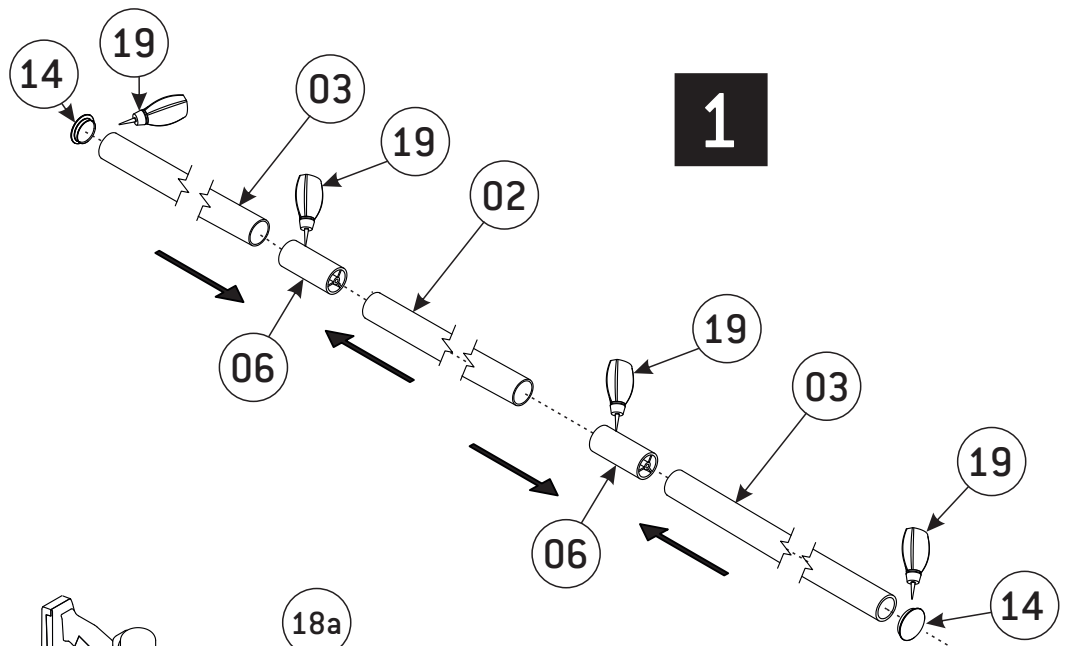
$$g = \frac{260 - 29,7 - 85 - 1}{7} = 20,61\text{cm}$$

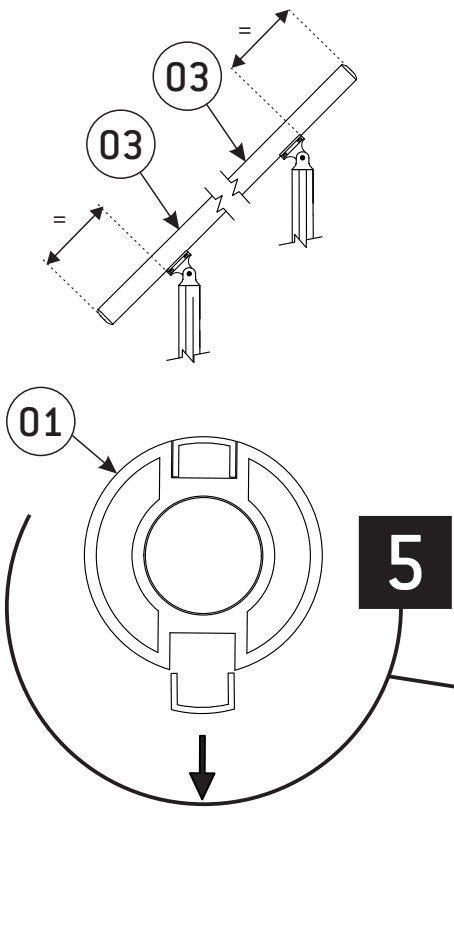
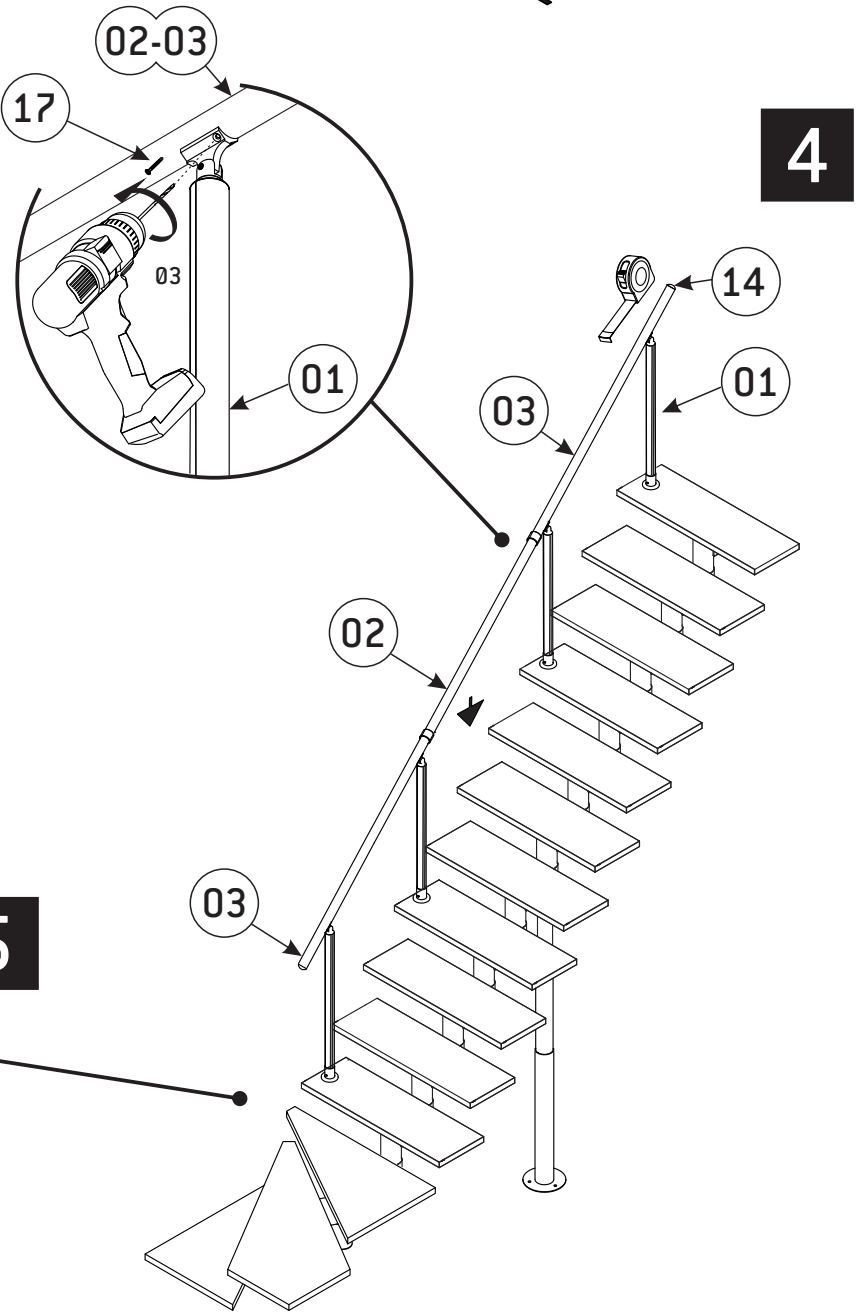
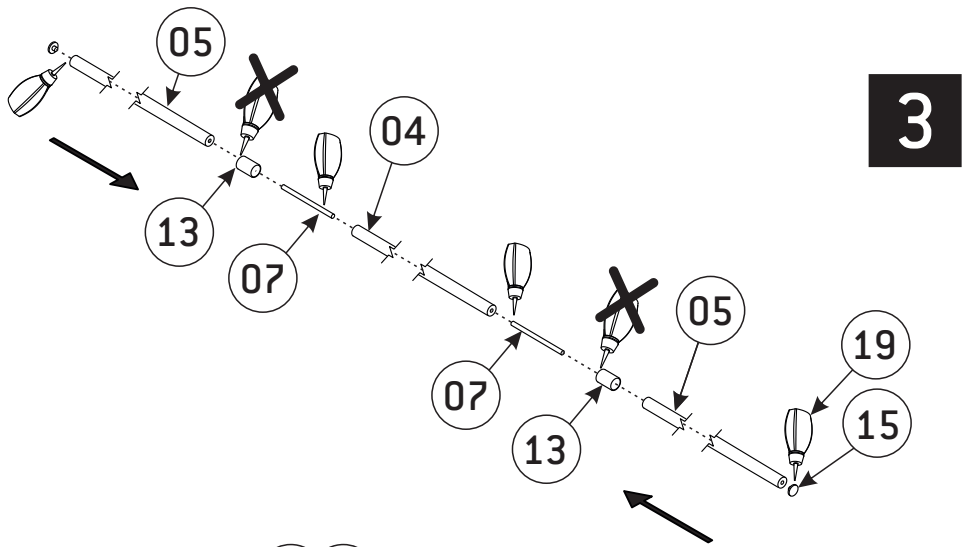
4

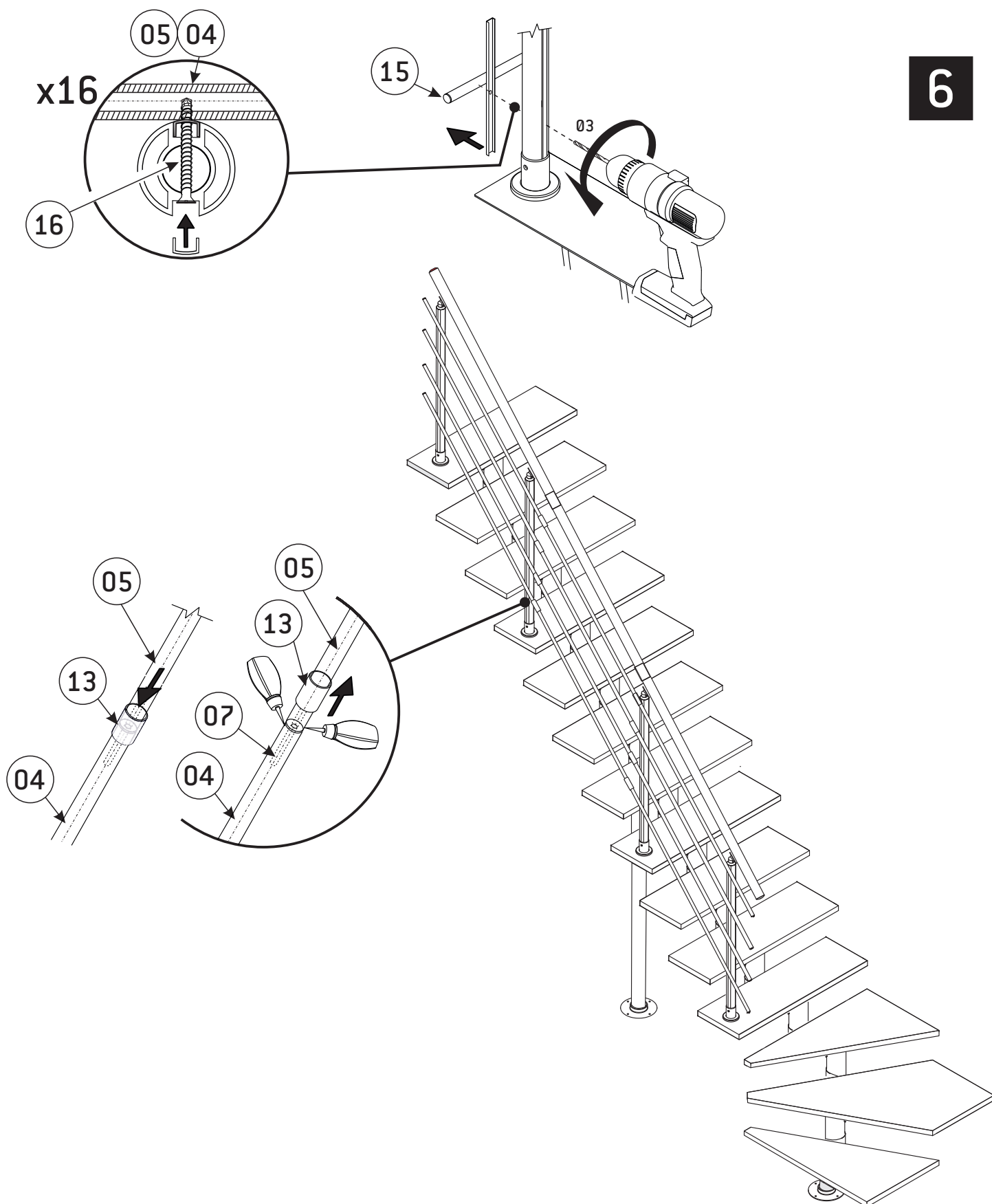


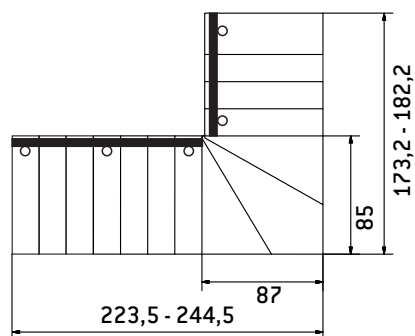
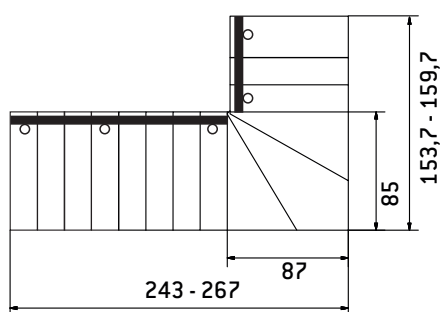
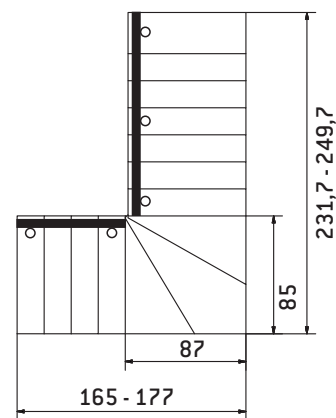
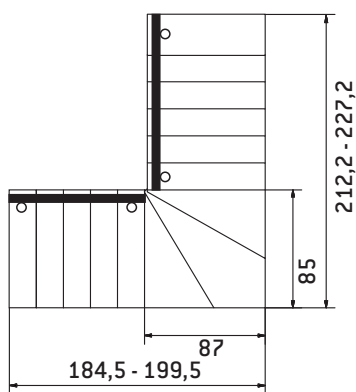
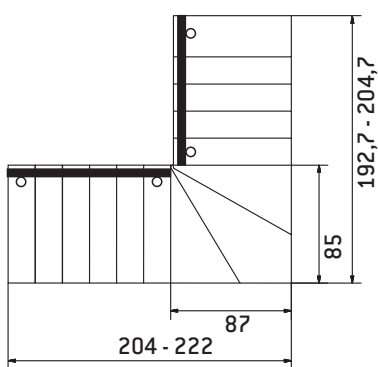
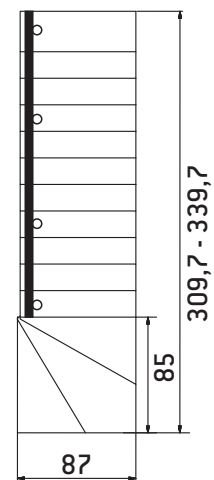
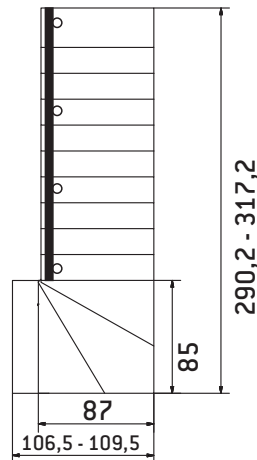
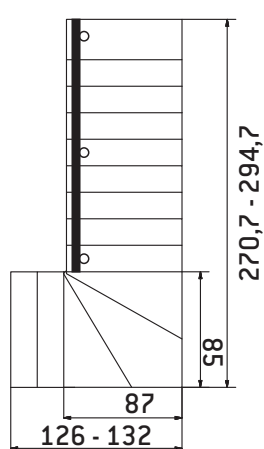
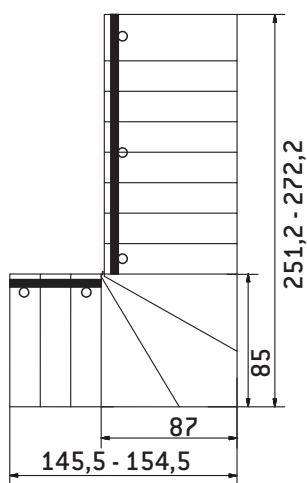
5











- RAMPE - LEUNING - HANDRAIL - GELANDER - BARANDILLA - CORRIMAO - BALUSTRADA
- POTEAU - PAAL - NEWEL - PFOSTEN - POSTE - COLUNA - PICIOR